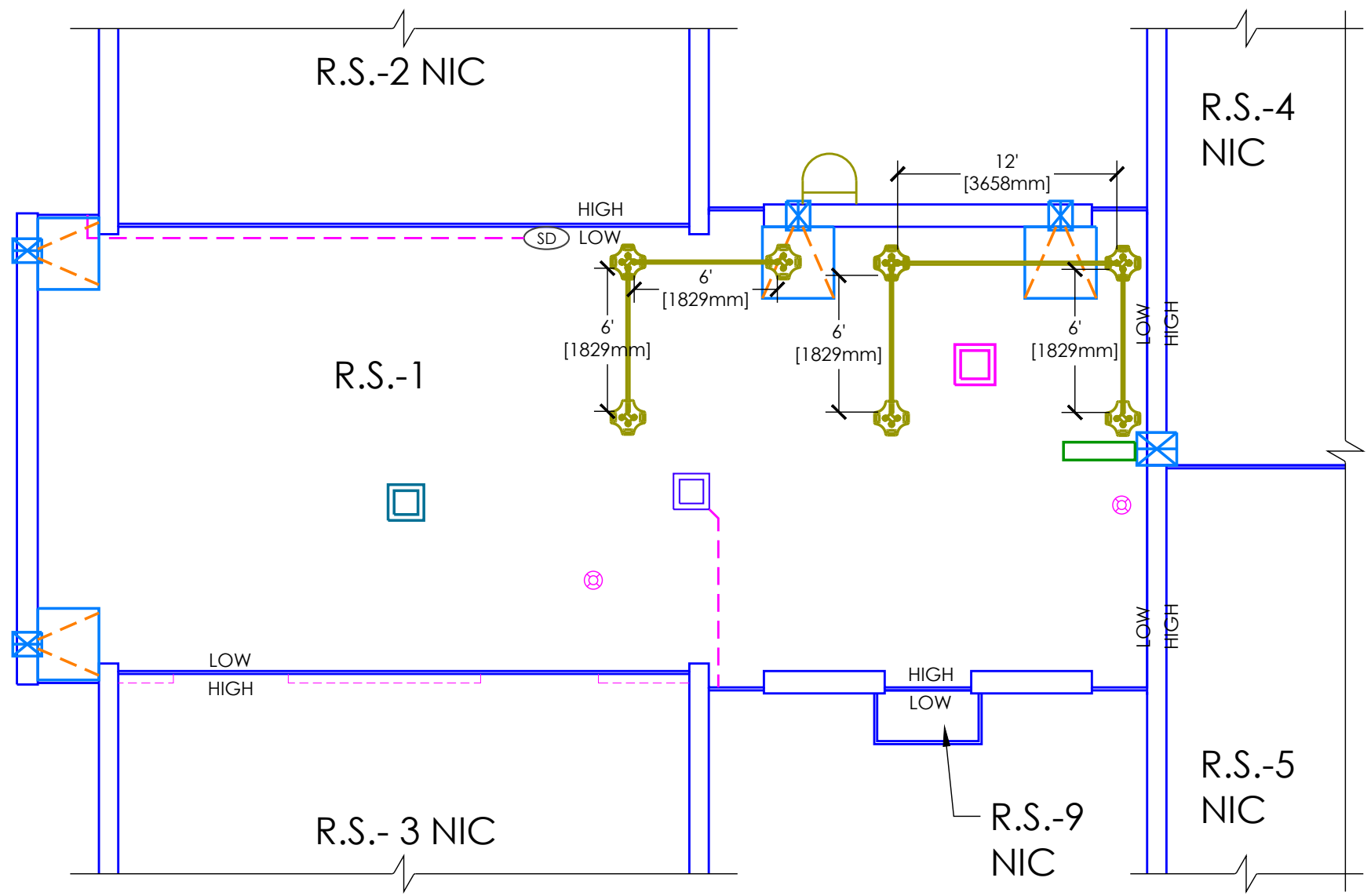


GENERAL NOTES

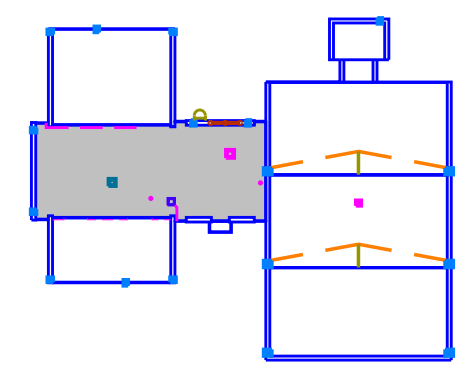
1. LENGTH OF GUARD RAIL = 36 FT [11 m]



LEGEND

- ROOF EDGE
- = ROOF PARAPET
- HIGH ADJACENT ROOF EDGE
- LOW ADJACENT ROOF EDGE
- LADDER
- WINDOW
- - - CONDUIT
- ⊗ PIPE PENETRATION
- CHIMNEY
- VENT
- AC UNIT
- ⊗ DRAINAGE ROOF SCUPPER
- (SD) SATELLITE DISH
- SPLASH PAD
- GUARD RAIL

KEY PLAN



RMIS ENGINEERING



389 MAXWELL CRESCENT
Regina, SK S4N 5X9
www.rmiseng.ca
Phone 306.352.4606
Fax 306.352.4607



FIRE HALL #23
C.13.MB.35-18.05.03

880 DALHOUSIE DRIVE
WINNIPEG, MB R3T 2Z9

CITY OF WINNIPEG

4TH FLOOR - 185 KING STREET
WINNIPEG, MB R3B 1J1

No.	DATE	DESCRIPTION

DESIGNED BY SMC 05/04/2018
DRAWN BY CJB 05/04/2018
REVIEWED BY SMC 05/04/2018

ROOF SECTION 1
GUARDRAIL PLAN

S 1.01